



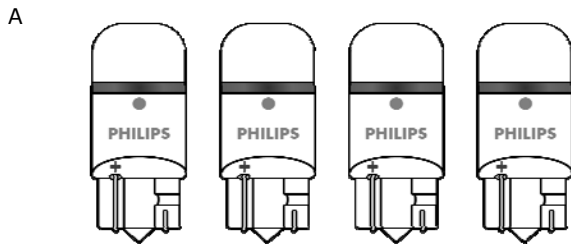
# GENUINE PARTS

## INSTALLATION INSTRUCTIONS

<b>1 DESCRIPTION:</b>	LED Upgrade Package
<b>2 APPLICATION:</b>	NV 200
<b>3 PART NUMBER(S) REQUIRED FOR INSTALLATION:</b>	999F3 F4000

### 4 KIT CONTENTS:

Item	Qty.	Part Description	Part Number
A	4	T10 LED assemblies	999F3 F4001
B	1	II Replacement Template	999V2 AW000
C	N/A	Installation Instructions	999F3 F4000II



B

**STOP Important: Read Before Installation!**  
 Dealer Installation Recommended.

**WARNING**  
 To avoid serious personal injury or property damage, obtain the Installation Instructions before attempting to install this accessory. The Installation Instructions provide the necessary procedures for a safe installation.

**CUSTOMER INTERNET DOWNLOAD INSTRUCTIONS:** Customers can obtain Installation Instructions for Infiniti or Nissan vehicles at [www.infiniti.com](http://www.infiniti.com) or [www.nissan-techno.com](http://www.nissan-techno.com) respectively. From the home page, select Accessory Instructions. Select your Model, Model Year, and Accessory Type or search for your Model, and/or Model Year, and/or Accessory Type including Keyword or Part Number, then locate the Instructions for your accessory.

**DEALER ASSIST DOWNLOAD INSTRUCTIONS:** Dealership technicians can locate the Installation Instructions for this accessory by scrolling to and select "Acc. Install Instructions" tab. Always download and use latest version of the Installation Instructions.

Installation Instructions Replacement Template: 999V2 AW000 Rev. 10/20/14

**5 TOOLS REQUIRED:**

- Nylon Trim Tool
- Clean latex or nitrile gloves

**6 PRE-INSTALLATION CAUTION/NOTES:**

**⚠ CAUTION**

- Dealer installation is **HIGHLY** recommended.
- Please read these instructions carefully before beginning to ensure correct installation.
- **NEVER** handle LED replacements by lens area, only body.
- LED replacements are polarity specific, they must be installed as instructed.
- Take care not to damage Cargo and Map lamp assemblies or lenses during the removal and installation process

**7 CRITICAL STEPS:**

**The following steps are critical and must be performed as specified to ensure proper installation:**

- Be sure vehicle ignition is in OFF position.
- Be sure that vehicle is out of transit mode (shipping mode) by pushing in extended storage switch.
- Be sure that vehicle battery is disconnected during the installation process.

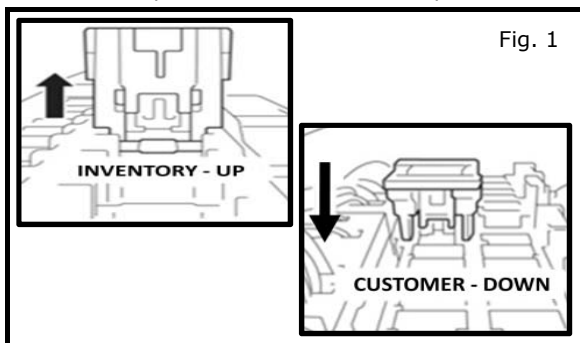
# INSTALLATION INSTRUCTIONS

## 8 Vehicle Preparation:

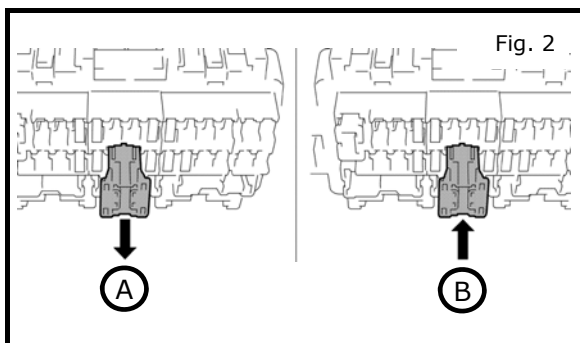
### ⚠ CAUTION

• Always confirm the ignition is in the "OFF" position before changing the E.S.S. position.

- 1) Apply parking brake
- 2) Confirm vehicle is no longer in default shipping state (Extended Storage Switch Pulled Up and BCM in Transit Mode). Failure to confirm vehicle has been removed from this state will result in loss of normal vehicle operation. Confirmation requires two checks:



- 3) Locating Extended Storage Switch.
  - a) Locate Extended Storage Switch in cabin fuse block.
  - b) Check Extended Storage Switch is in "Customer" position as shown in Fig. 1.



- 4) Engage and remove from transit mode
  - a) To engage transit mode, pull out in **A** direction as shown in the figure.
  - b) To remove from transit mode, press in **B** direction as shown in the figure.

Condition	Switch Position	Note
Vehicle is delivered to the dealer	Inventory Condition	
Technician performs PDI	Customer Delivery	Return to Inventory position after PDI.
Customer test drives the vehicle	Customer Delivery	Return to Inventory position after test drive.
Vehicle is being stored at the dealer	Inventory Condition	
Vehicle is delivered to customer	Customer Delivery	

- 5) Turn ignition switch to "ON" position
- 6) Record the customer radio presets and other presets as required.

Preset	1	2	3	4	5	6		

- 7) Put shift lever in "P" position for A/T and CVT or "1st" for M/T
- 8) Turn ignition switch to "OFF" position
- 9) Use seat and floor protection.

# INSTALLATION INSTRUCTIONS

## 9 Vehicle Preparation:

- |                                |                               |
|--------------------------------|-------------------------------|
| a.) Locate Map Lamp            | e.) Locate Cargo Lamp         |
| b.) Gently remove lens.        | f.) Gently remove lens.       |
| c.) Remove incandescent bulbs. | g.) Remove incandescent bulb. |
| d.) Install LED upgrades       | h.) Install LED upgrades      |

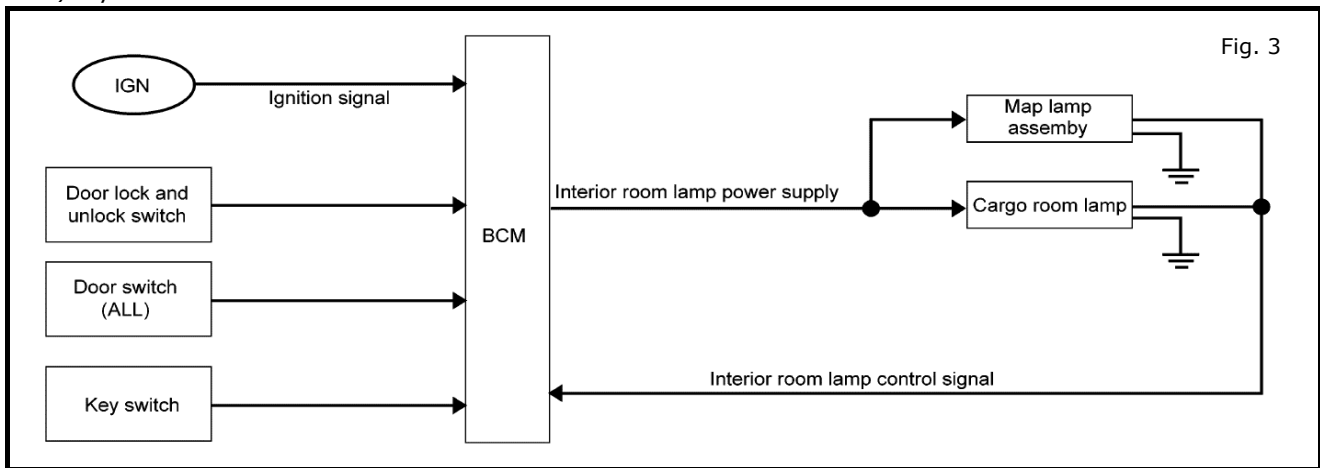
## 10 Installation Procedure: Cautions / Notes

### ⚠ CAUTION

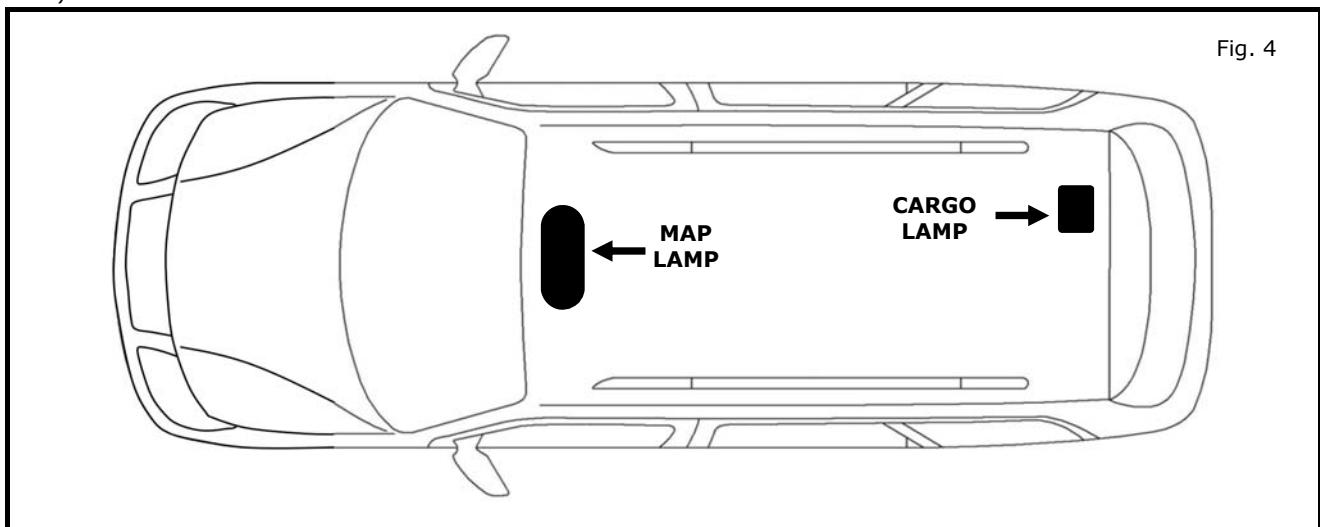
- Bulbs may be HOT do not touch with bare hands.
- **NEVER** handle LED replacements by lens area, only body.
- Confirm LED function before lens replacement.

## 11 Installation Overview

### 1.) System

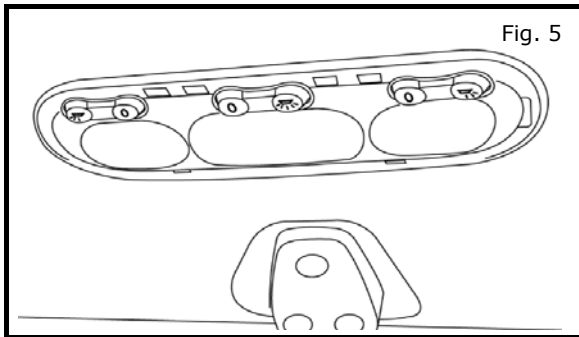


### 2.) Vehicle



# INSTALLATION INSTRUCTIONS

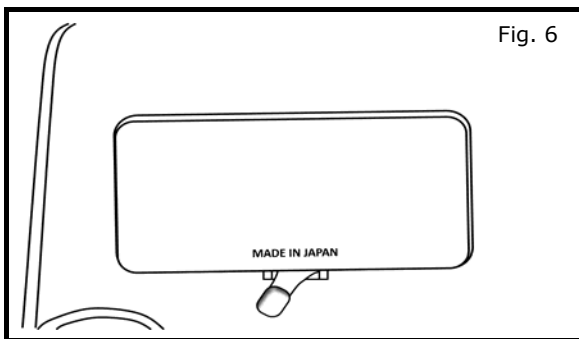
## 12 Installation Procedure: Vehicle Parts Installation



- 1) Map lamp preparation.
  - a) Make sure map lamp switches are in **OFF** position as shown in Fig. 5.

### **⚠ CAUTION**

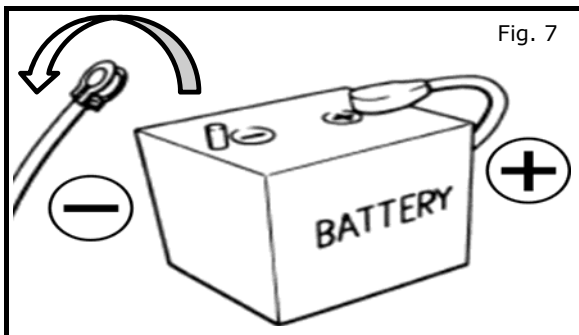
- **Never work on a lamp that is in an energized state.**



- 2) Cargo lamp preparation.
  - a) Make sure cargo lamp switch is in **OFF** position as shown in Fig. 6.

### **⚠ CAUTION**

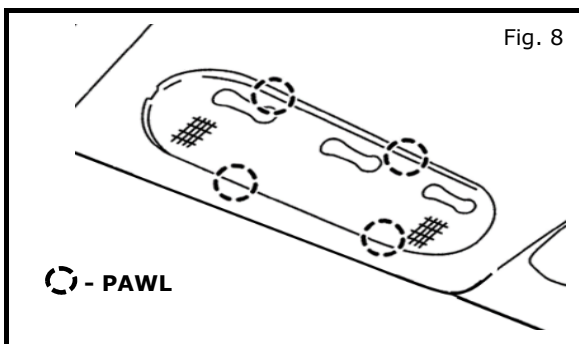
- **Never work on a lamp that is in an energized state.**



- 3) Disconnecting battery terminal(s).
  - a) Using the 1/4 ratchet and 10mm socket loosen Negative battery terminal. Remove and isolate negative terminal from the negative post as shown in Fig. 7.

### **⚠ CAUTION**

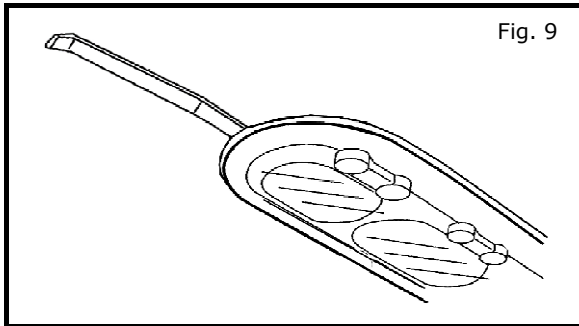
- **Allow an additional 3 min after negative terminal dis-connect before separating any electrical connectors.**



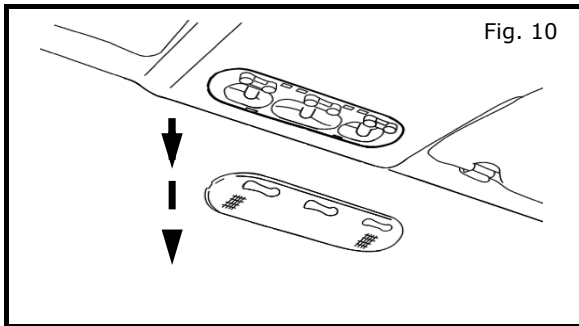
- 4) Map lamp bulb removal.
  - a) Locate four (4) pawls on lens as shown in Fig. 8.

# INSTALLATION INSTRUCTIONS

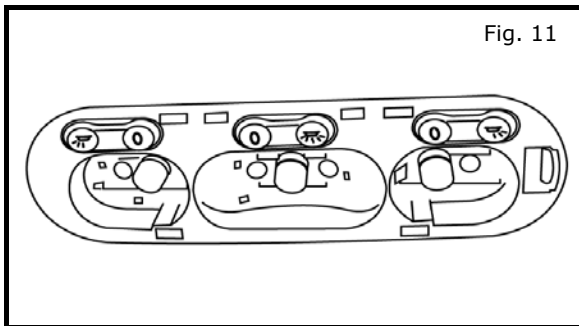
## 12 Installation Procedure: Vehicle Parts Installation



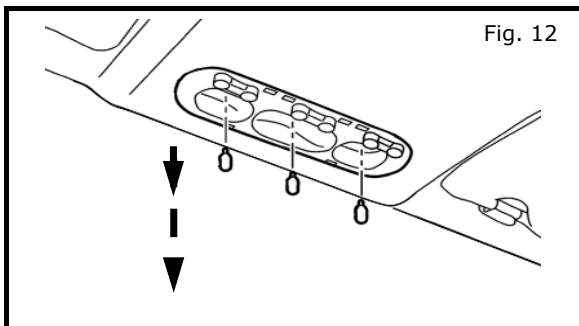
- 5) Map lamp bulb removal.
  - a) Gently insert trim tool under map lamp assembly and release four (4) pawls as shown in Fig. 9.



- 6) Map lamp bulb removal.
  - a) Remove lens from map lamp assembly as shown in Fig. 10.



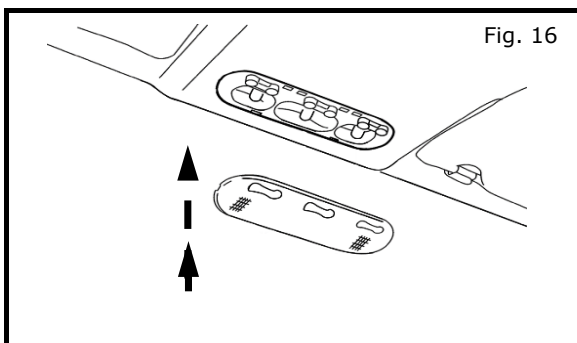
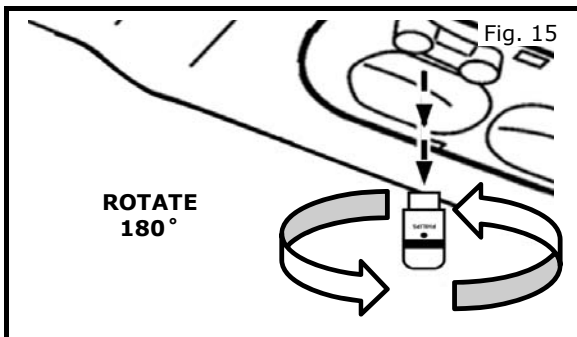
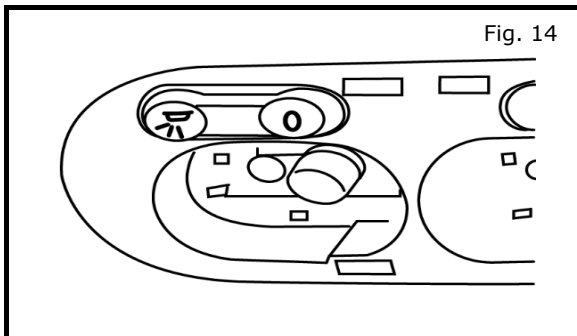
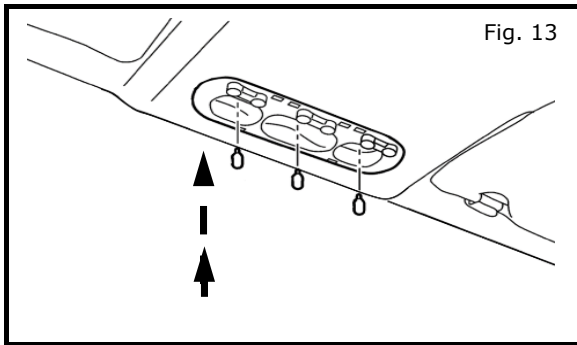
- 7) Map lamp bulb removal.
  - a) Make sure bulbs have cooled and switches are in **OFF** position as shown in Fig. 11.



- 8) Map lamp bulb removal.
  - a) Remove bulbs from map lamp assembly as shown in Fig. 12.

# INSTALLATION INSTRUCTIONS

## 12 Installation Procedure: Vehicle Parts Installation



- 9) Map lamp LED installation.
  - a) Insert LED's into map lamp assembly as shown in Fig. 13.
  - b) Using "Philips" logo as a marker, **MAKE SURE** all LED'S are facing passenger side direction.
  - c) Make sure LED's are fully seated before proceeding.

- 10) Map lamp LED installation.
  - a) Before replacing lens, reconnect battery.
  - b) Turn on switches one at a time and confirm each LED's function as shown in Fig. 14.
  - c) Disconnect battery.

### ⚠ CAUTION

- LED's are polarity specific, a non functional state **DOES NOT MEAN FAILURE.** if NF condition occurs proceed to step 11 then retry LED switch.

- 11) Map lamp LED installation.
  - a) If LED is **functional** proceed to step 12.
  - b) If LED is non functional rotate 180° as shown in Fig. 15.
  - c) Make sure LED's are fully seated and all facing facing passenger side direction.

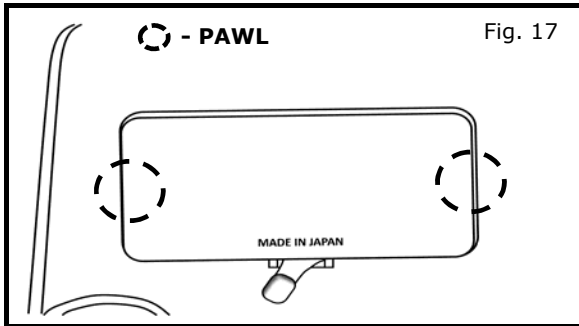
### ⚠ CAUTION

- **NEVER** handle LED replacements by lens area, only body.

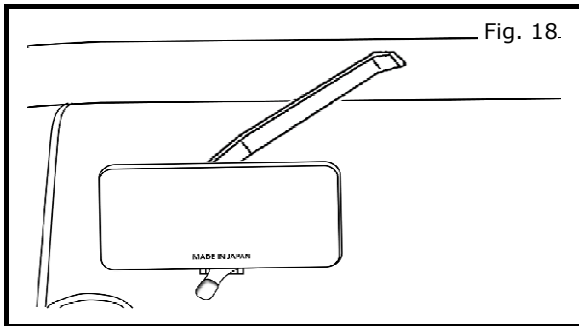
- 12) Map lamp LED installation.
  - a) Install lens onto map lamp assembly as shown in Fig. 16.
  - b) Make sure all pawls are fully engaged before proceeding.

# INSTALLATION INSTRUCTIONS

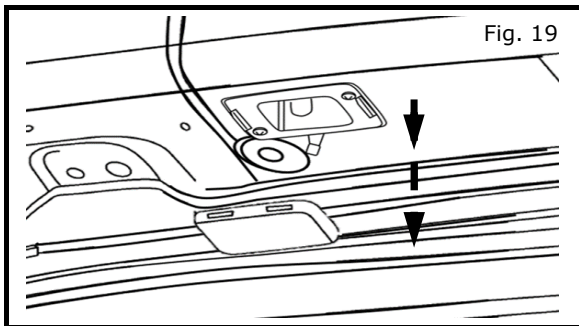
## 12 Installation Procedure: Vehicle Parts Installation



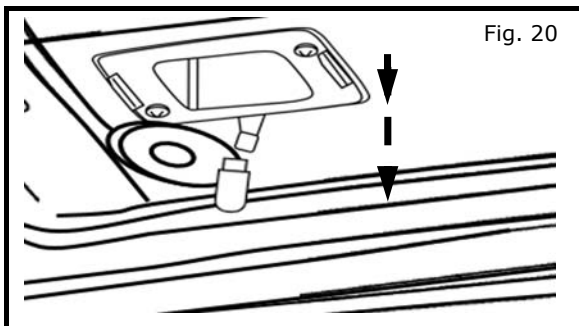
- 13) Cargo lamp bulb removal.
- Locate the cargo lamp assembly in rear RH side of vehicle, near rear door.
  - There are two (2) end pawls as shown in Fig. 17.



- 14) Cargo lamp bulb removal.
- Gently insert trim tool under cargo lamp assembly and release two (2) lens side clip as shown in Fig. 18.
  - Next release the two (2) end pawls.



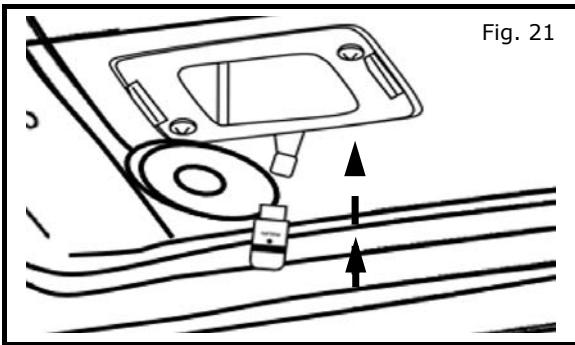
- 15) Cargo lamp bulb removal.
- Remove lens from cargo lamp assembly as shown in Fig. 19.



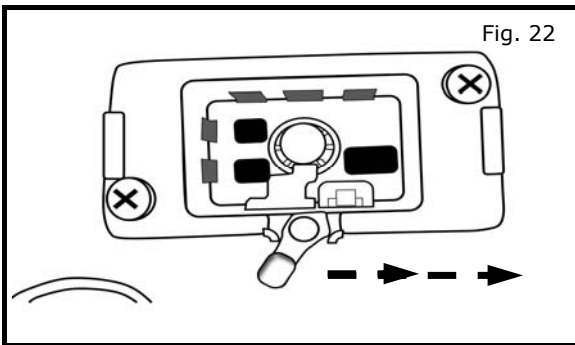
- 16) Cargo lamp bulb removal.
- Remove bulb from cargo lamp assembly as shown in Fig. 20.

## INSTALLATION INSTRUCTIONS

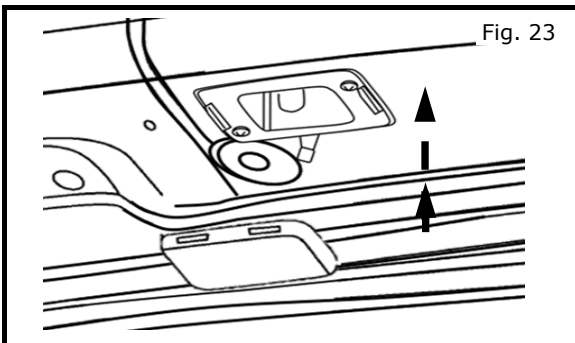
### 12 Installation Procedure: Vehicle Parts Installation



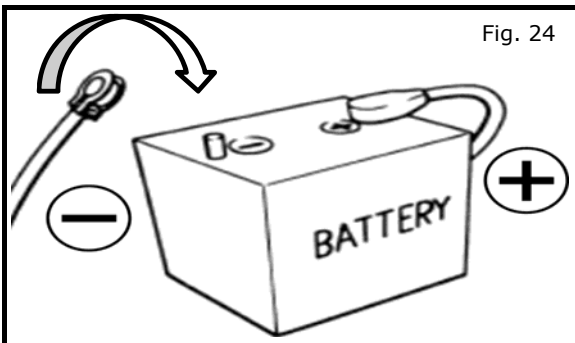
- 17) Cargo lamp LED Installation.
- Insert LED into cargo lamp assembly as shown in Fig. 21.
  - Using "Philips" logo as a marker, **MAKE SURE** all LED'S are facing driver side direction.
  - Make sure LED's are fully seated before proceeding.



- 18) Cargo lamp LED Installation.
- Reconnect battery.
  - Turn switch to on position and confirm LED functions as shown in Fig. 22.
  - Disconnect battery.
  - If LED is non functional rotate 180° as shown in Fig. 15.



- 19) Cargo lamp LED Installation.
- Install lens onto cargo lamp assembly as shown in Fig. 23.



- 20) Connecting battery terminal(s).
- Reconnect Negative Battery Terminal as shown in Fig. 24.
  - Tighten negative terminal and torque terminal nut to 5.4 N-m (47.8 lb-in).



## INSTALLATION INSTRUCTIONS

### 13 Final Inspection:

#### CAUTION

- Refer to the vehicle service manual for more information.

- Verify interior and exterior is not damaged.
- Turn ignition switch to the "ON" position to confirm proper operation of vehicle systems.
  - Verify that there are no new Diagnostic Trouble Codes.
  - Verify all windows and sunroof (if equipped), one touch operation and perform the reset procedure if necessary. Refer to the vehicle service manual for more details.
  - Tail Lamp - Turn on headlamps; open glove box and note whether light goes on.
  - Confirm proper audio function (AM, FM, SAT, CD and AUX).
  - Re-program radio presets and other vehicle settings to the recorded settings if necessary.
- Front Sonar Module Connector - Turn on vehicle, put vehicle in 'Drive'. Move slowly towards a large object in front of the vehicle. Note whether alarm sounds.
- Rear Sonar Module Connector - Turn on vehicle, put vehicle in 'Reverse'. Move slowly towards a large object behind the vehicle. Note whether alarm sounds.
- If this vehicle will be returned to a dealer lot or showroom for an extended period of time, be sure the extended storage switch is placed in the "inventory" position.

## INSTALLATION INSTRUCTIONS

### 14 Bill of Materials:

### 999F3 F4001 LED Upgrade Package

Item	Qty.	Part Description	Service Part Number
A	4	T10 LED assemblies	999F3 F4001
B	1	II Replacement Template	999V2 AW000
C	N/A	Installation Instructions	999F3 F4001II

# INSTALLATION INSTRUCTIONS

## 15 Mechanization:

### ROOM LAMP FUNCTION : System Description

